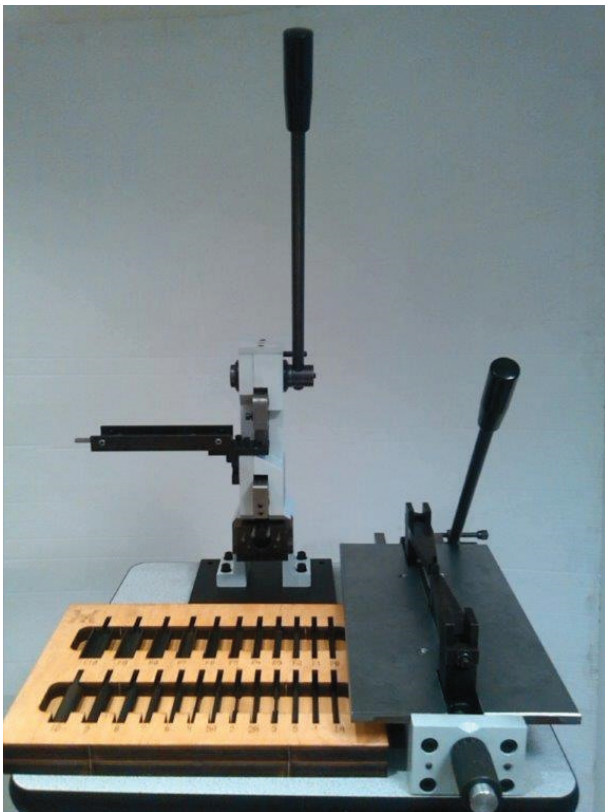




H - 1225 Budapest  
Bányalég utca 44.  
Phone:  
+36-1-207-5104  
+36-1-207-3888  
Fax:  
+36-1-207-2946  
E-mail:  
office@unimark.hu

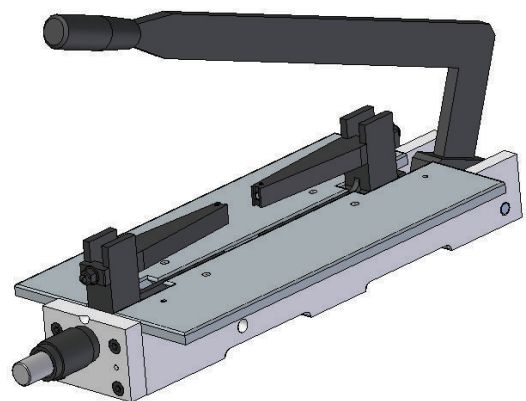
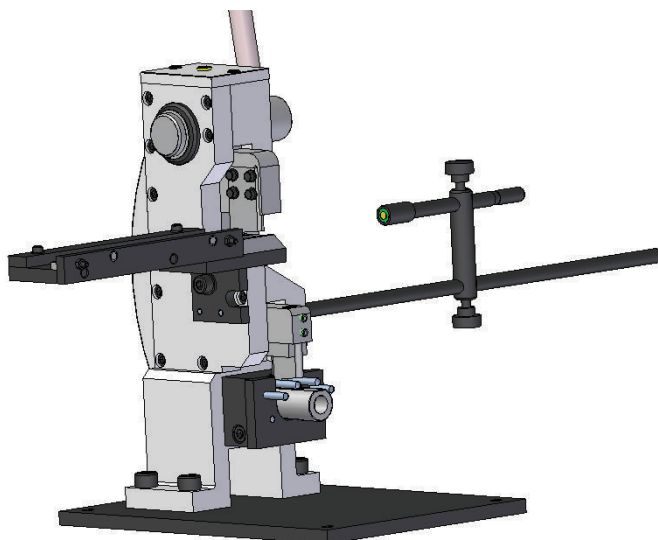
## UM 991K and UM 994.1 combined machine

4 operation with only one machine: CUTTING, LIPPING, NOTCHING AND BENDING



### Benefits of the combined machine

- UM994.1 - precision rule cutting, lipping, notching without changing the tools
- UM991K - precise and quick bending with hand operation and wide range of tools for bending ( 24 pc and 33 pc toolset are available)
- the packing and delivery costs are low
- good price for a multifunctional machine
- quick and reliable service, tools and spare parts from stock



24 pcs and 33 pcs tool set is available for the machine  
Optional: Digital or analog tressameter available for this machine